

Sequencer is

- free running on 16MHz clock
- not initialised at power up
- initialised to S[7:0] = 11111111 when
 - S7 = 0 and S6 = 1
 - Z80 is acknowledging an irq

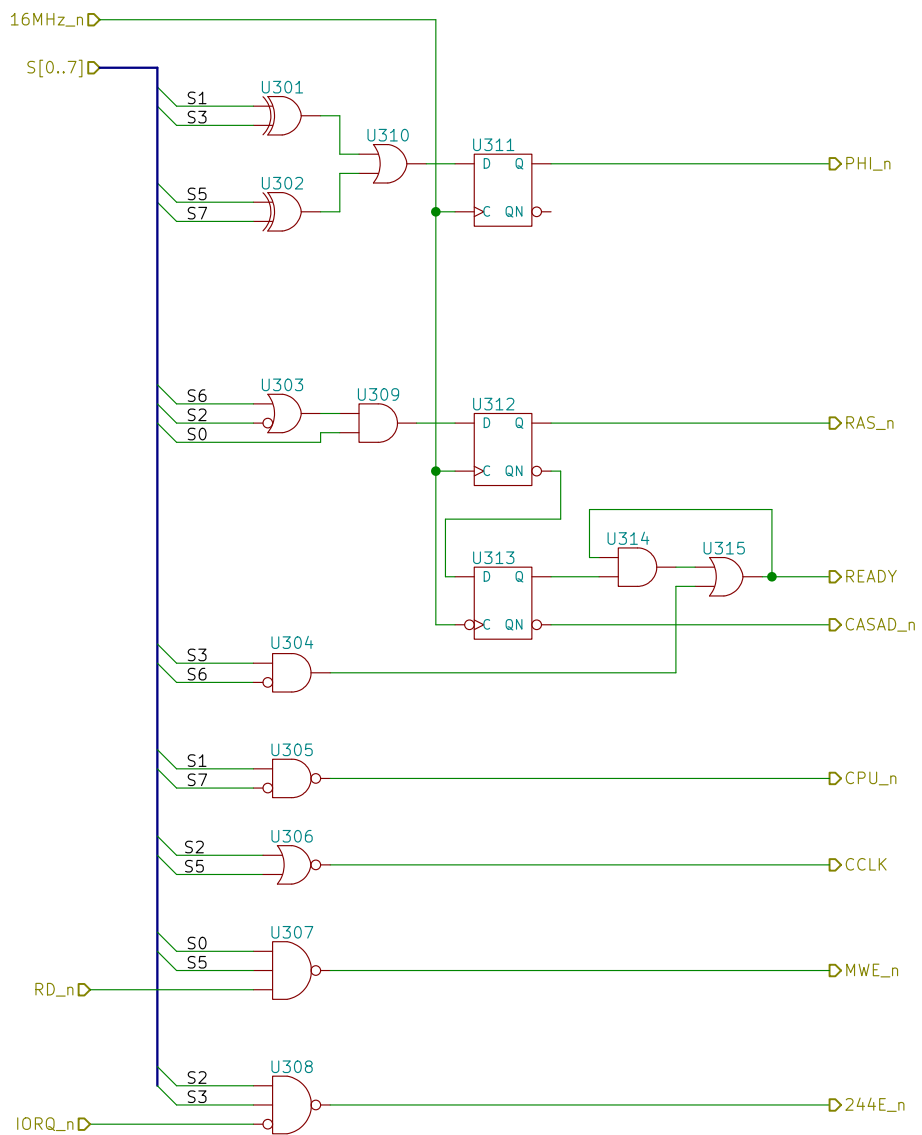
Sequence is :

```

FF : 11111111
FE : 11111110
FC : 11111100
F8 : 11111000
F0 : 11110000
E0 : 11100000
C0 : 11000000
80 : 10000000
00 : 00000000
01 : 00000001
03 : 00000011
07 : 00000111
0F : 00001111
1F : 00011111
3F : 00111111
7F : 01111111

```

Not verified against real 40010	
Sheet: /Sequencer/ File: Sequencer.sch	
Title: Main sequencer	
Size: A4	Date: 2019-02-18
KiCad E.D.A. kicad 4.0.7	Rev: 0.3 Id: 2/18



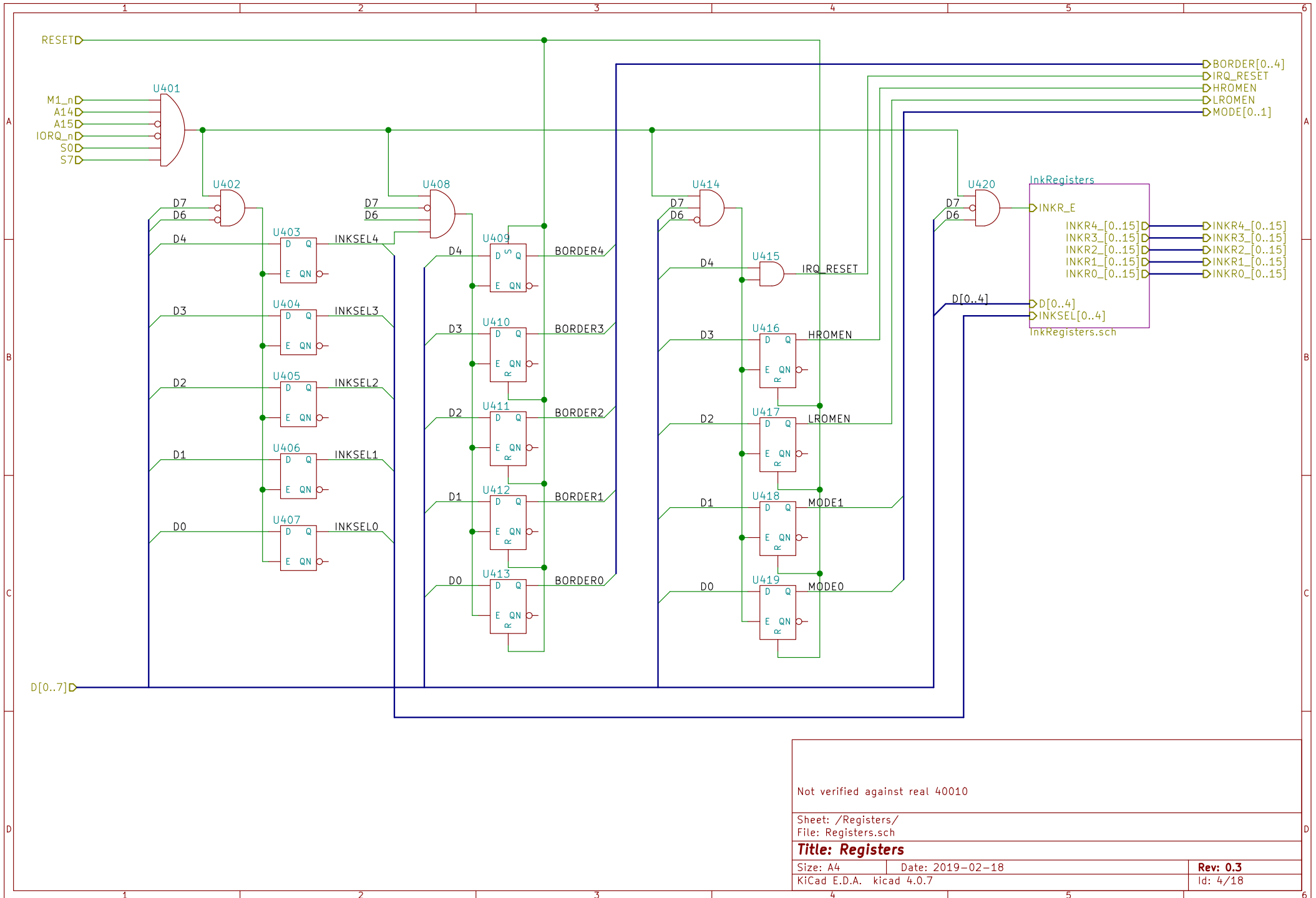
Not verified against real 40010

Sheet: /SequencerDecode/
File: SequencerDecode.sch

Title: Sequencer to output decoder

Size: A4 Date: 2019-02-18
KiCad E.D.A. kicad 4.0.7

Rev: 0.3
Id: 3/18



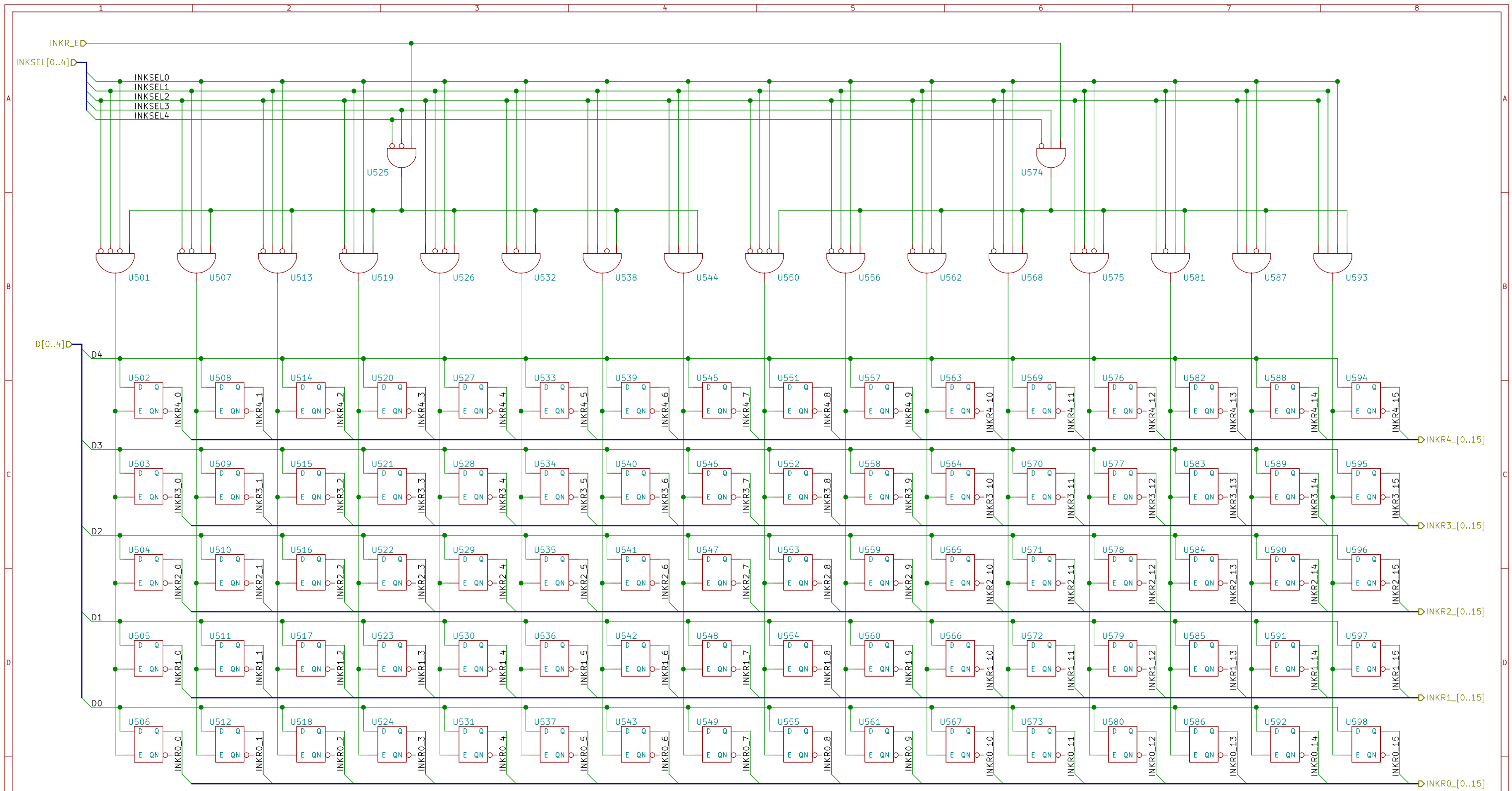
Not verified against real 40010

Sheet: /Registers/
File: Registers.sch

Title: Registers

Size: A4 Date: 2019-02-18
KiCad E.D.A. kicad 4.0.7

Rev: 0.3
Id: 4/18



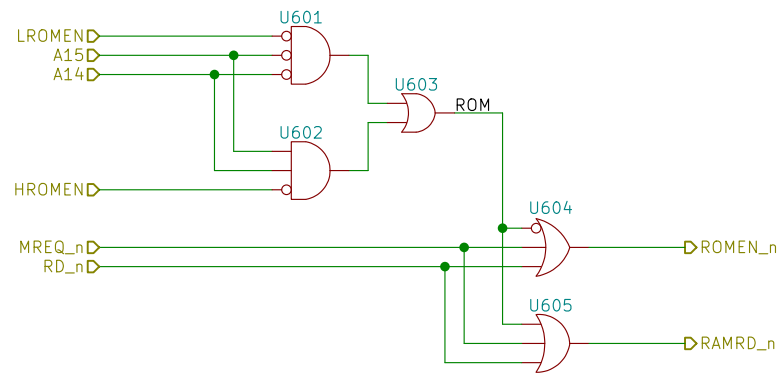
Not verified against real 40010

Sheet: /Registers/InkRegisters/
File: InkRegisters.sch

Title: INK registers

Size: A3 Date: 2019-02-18
KiCad E.D.A. kicad 4.0.7

Rev: 0.3
Id: 5/18



Not verified against real 40010

Sheet: /RomMapping/
File: RomMapping.sch

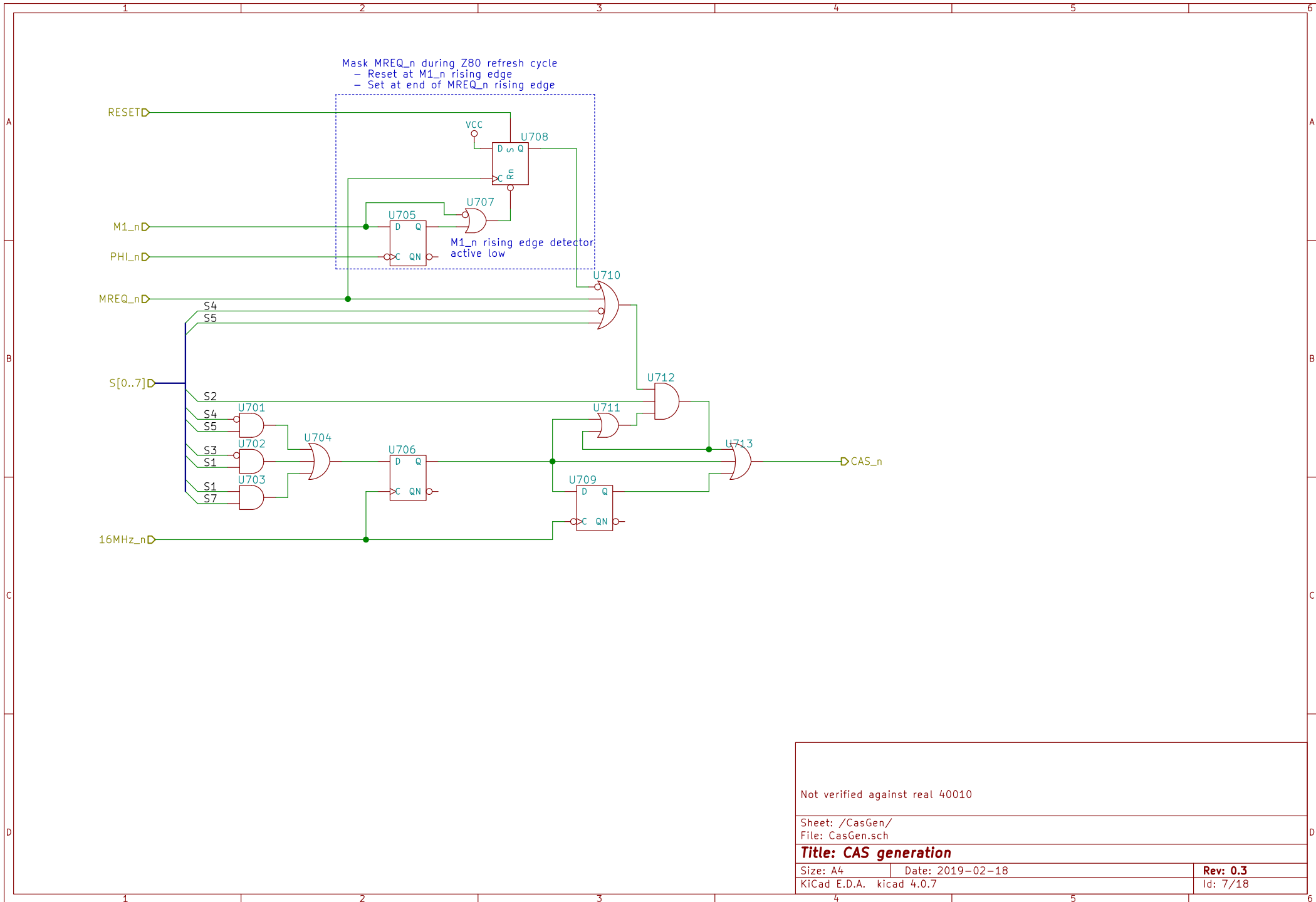
Title: ROM/RAM mapping

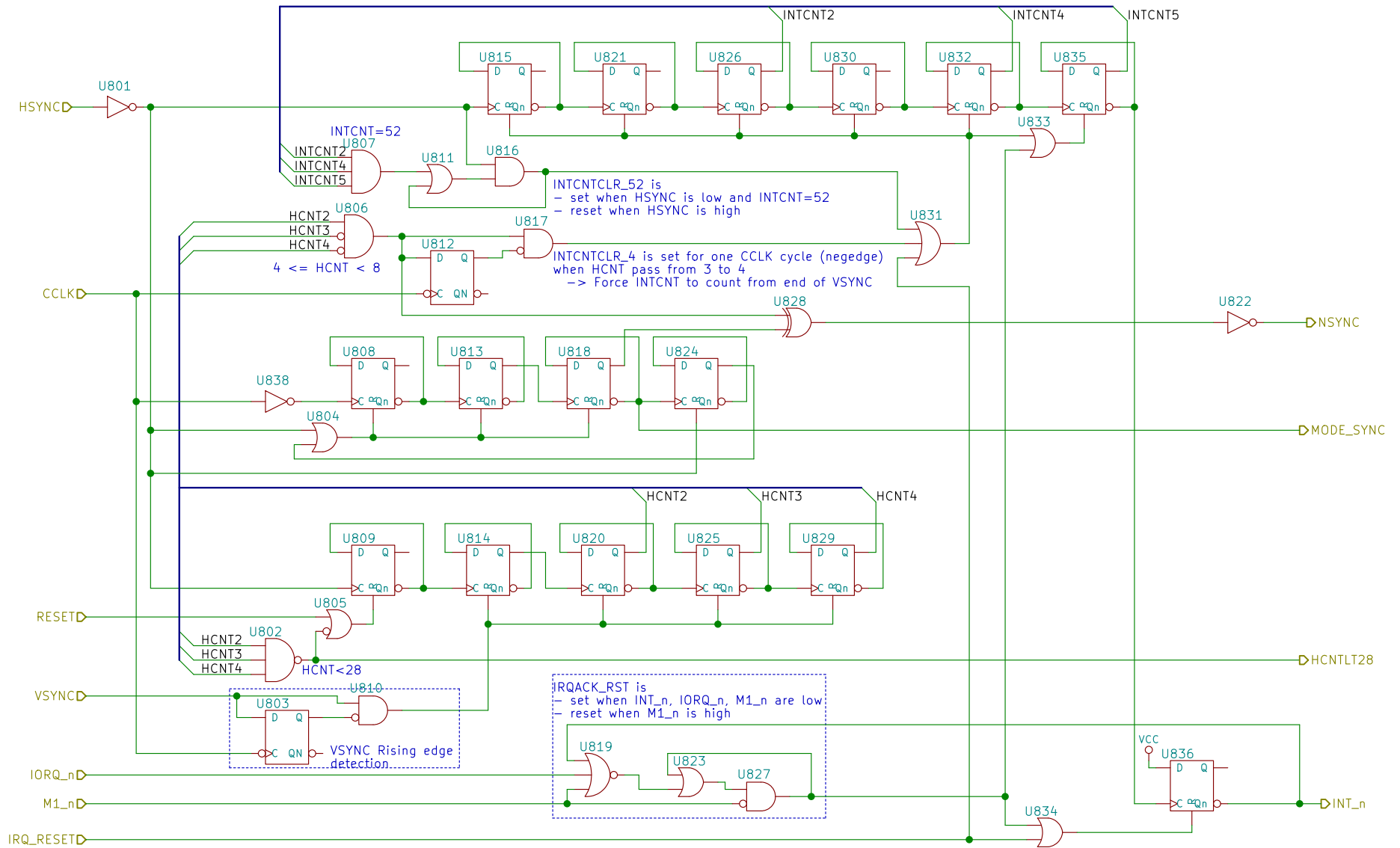
Size: A4 Date: 2019-02-18

KiCad E.D.A. kicad 4.0.7

Rev: 0.3

Id: 6/18





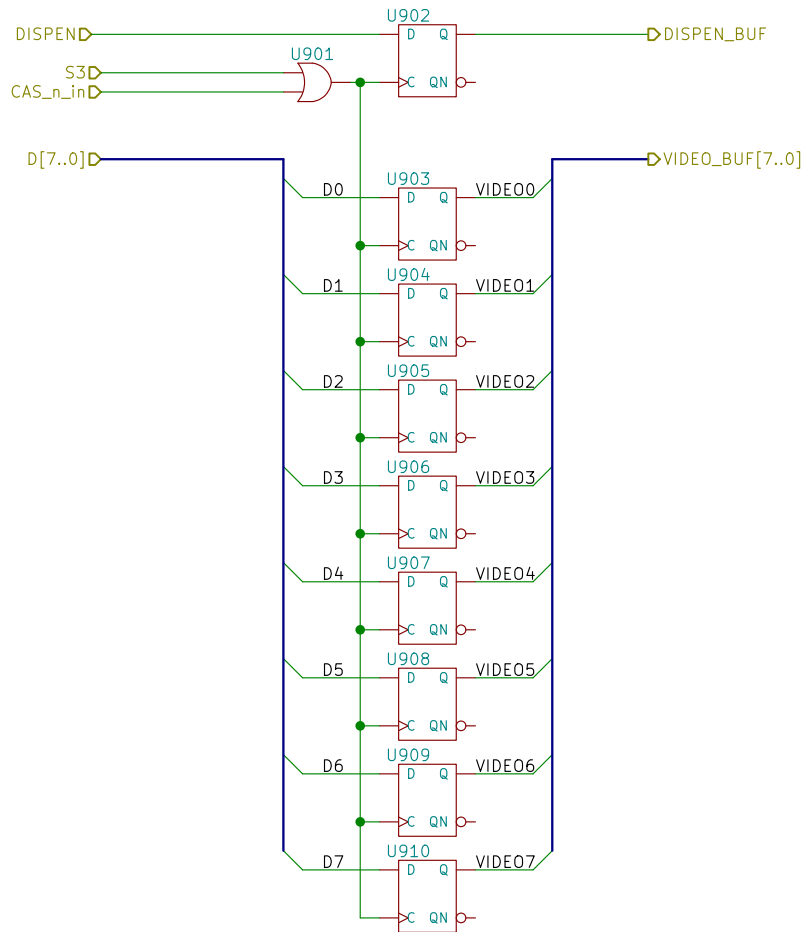
Not verified against real 40010

Sheet: /VSync/
 File: VSync.sch

Title: Video composite SYNC and IRQ generation

Size: A4
 Date: 2019-02-18
 KiCad E.D.A. kicad 4.0.7

Rev: 0.3
 Id: 8/18



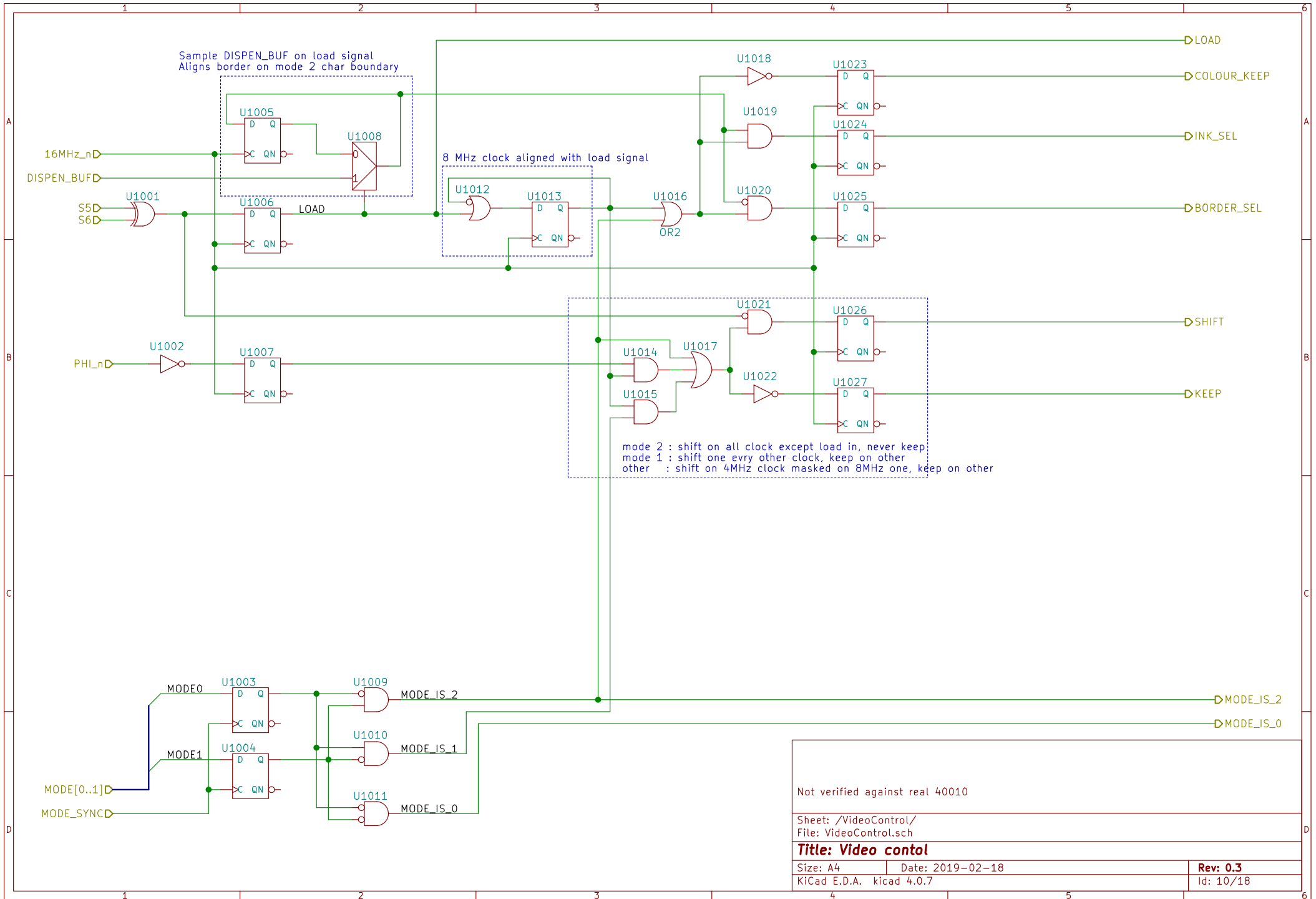
Not verified against real 40010

Sheet: /VideoBuffer/
File: VideoBuffer.sch

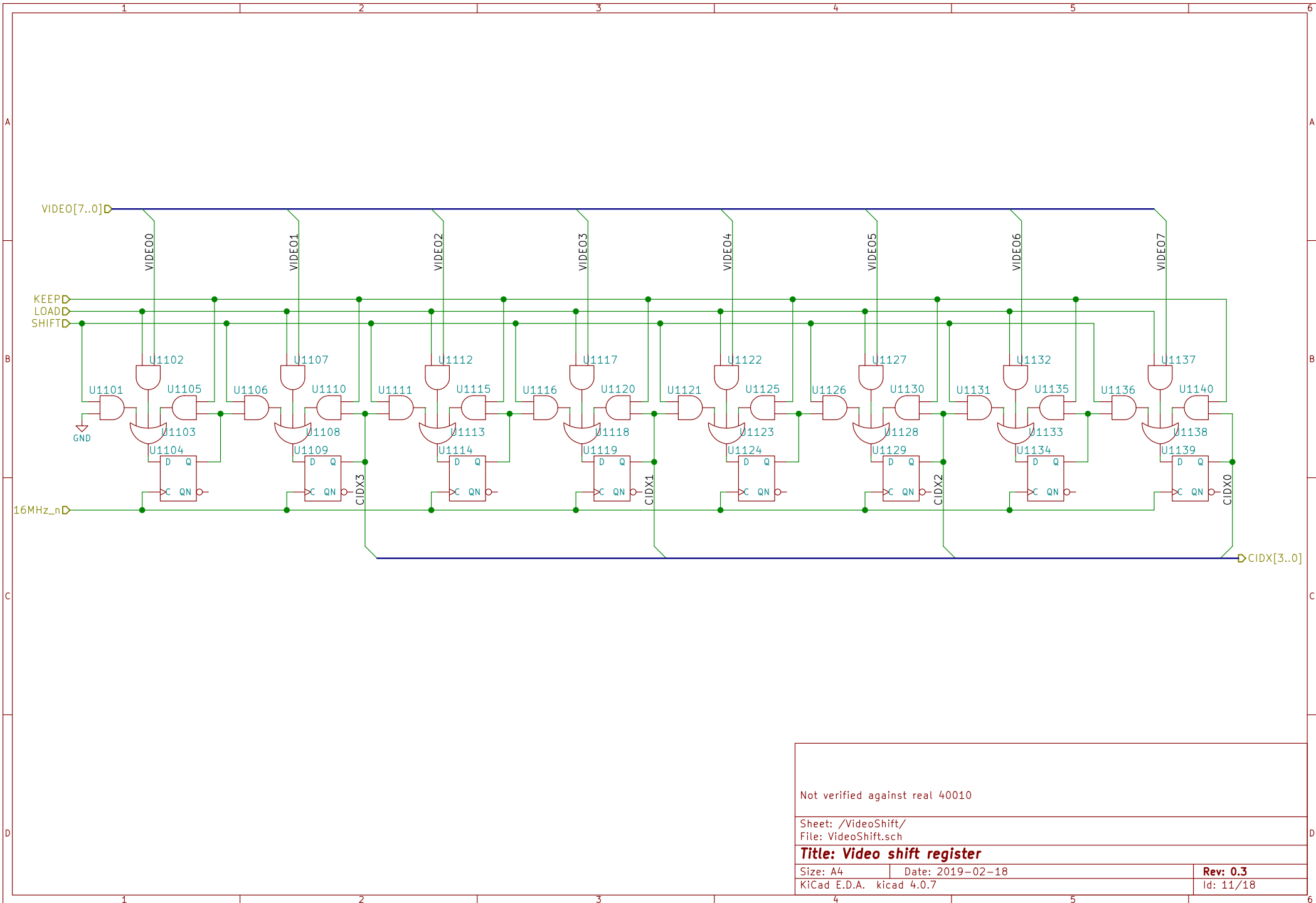
Title: Video data buffer

Size: A4 Date: 2019-02-18
KiCad E.D.A. kicad 4.0.7

Rev: 0.3
Id: 9/18



Sheet: /VideoControl/	
File: VideoControl.sch	
Title: Video contol	
Size: A4	Date: 2019-02-18
KiCad E.D.A. kicad 4.0.7	Rev: 0.3
	Id: 10/18



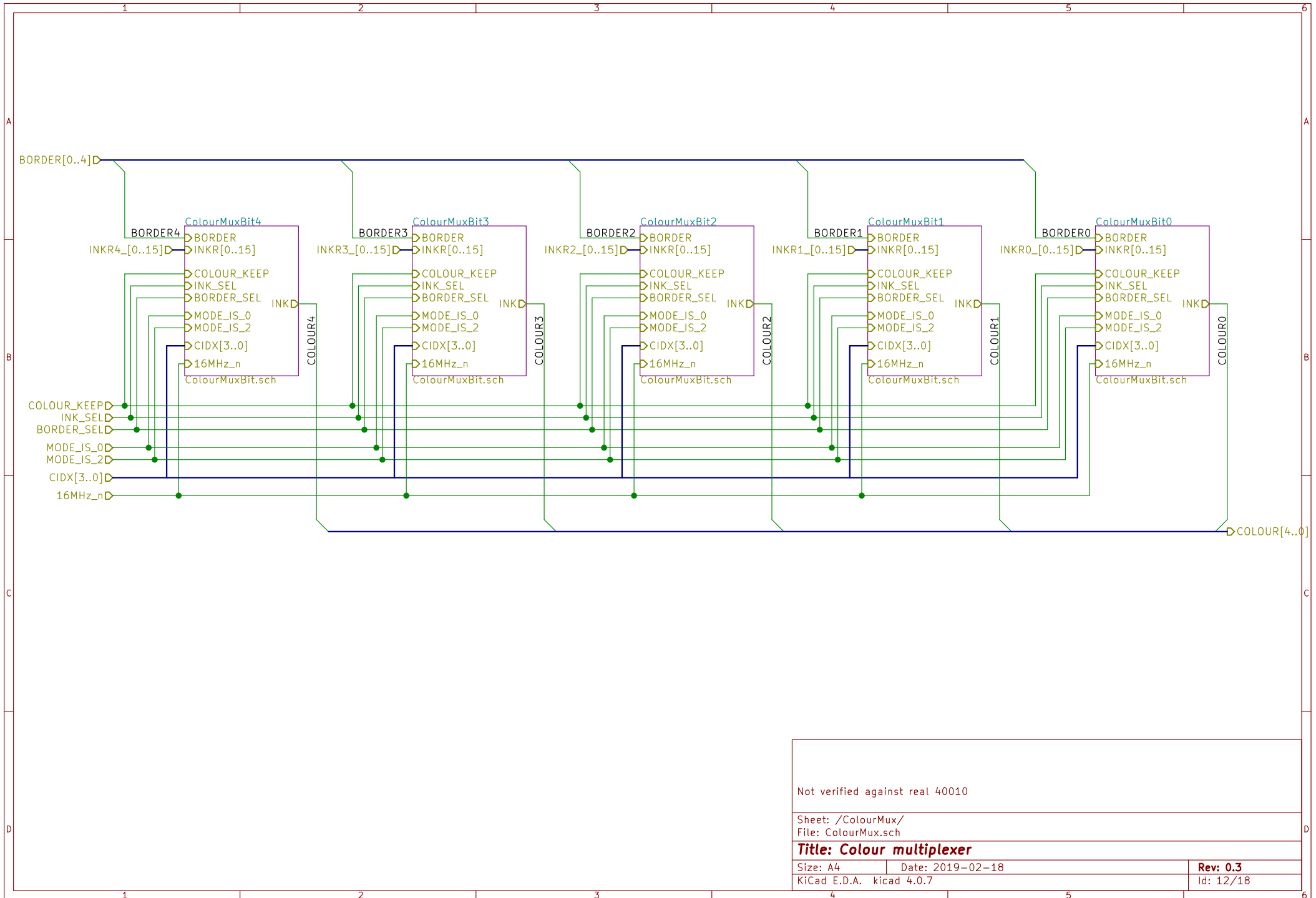
Not verified against real 40010

Sheet: /VideoShift/
File: VideoShift.sch

Title: Video shift register

Size: A4 | Date: 2019-02-18
KiCad E.D.A. kicad 4.0.7

Rev: 0.3
Id: 11/18

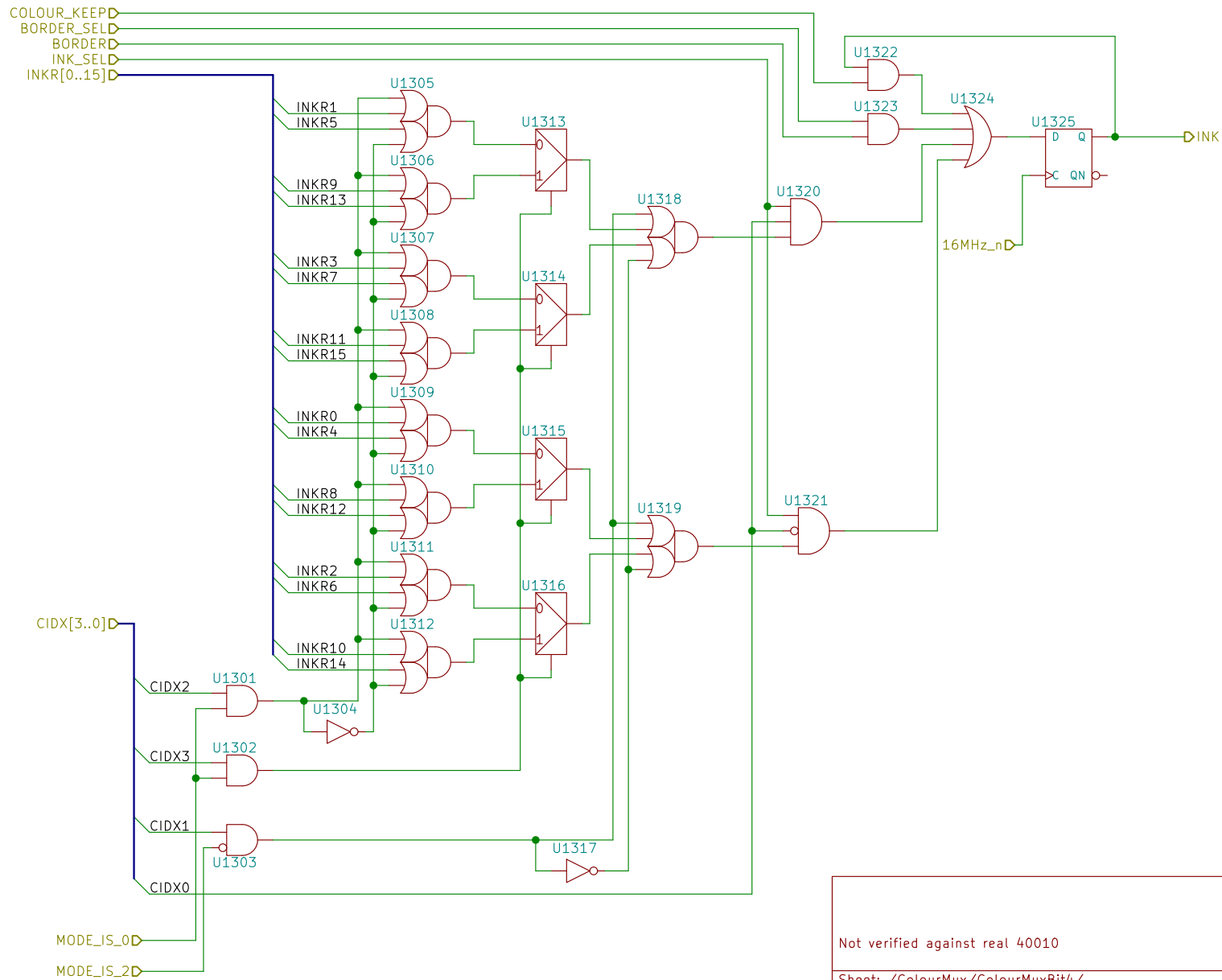


Not verified against real 40010

Sheet: /ColourMux/
File: ColourMux.sch

Title: Colour multiplexer

Size: A4	Date: 2019-02-18	Rev: 0.3
KiCad E.D.A. kicad 4.0.7		Id: 12/18



Not verified against real 40010

Sheet: /ColourMux/ColourMuxBit4/
 File: ColourMuxBit.sch

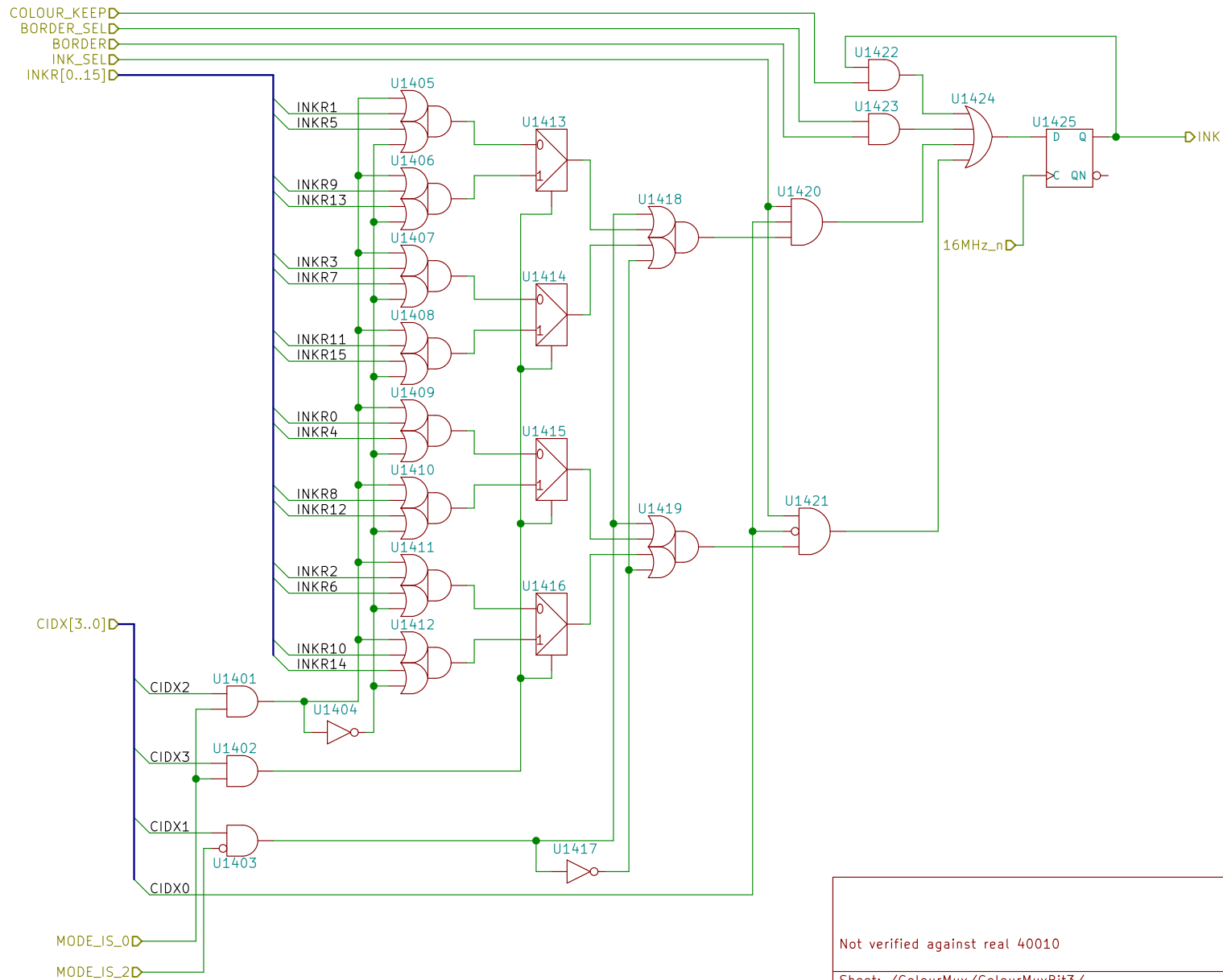
Title: Colour bit multiplexer

Size: A4 Date: 2019-02-18

KiCad E.D.A. kicad 4.0.7

Rev: 0.3

Id: 13/18



Not verified against real 40010

Sheet: /ColourMux/ColourMuxBit3/
 File: ColourMuxBit3.sch

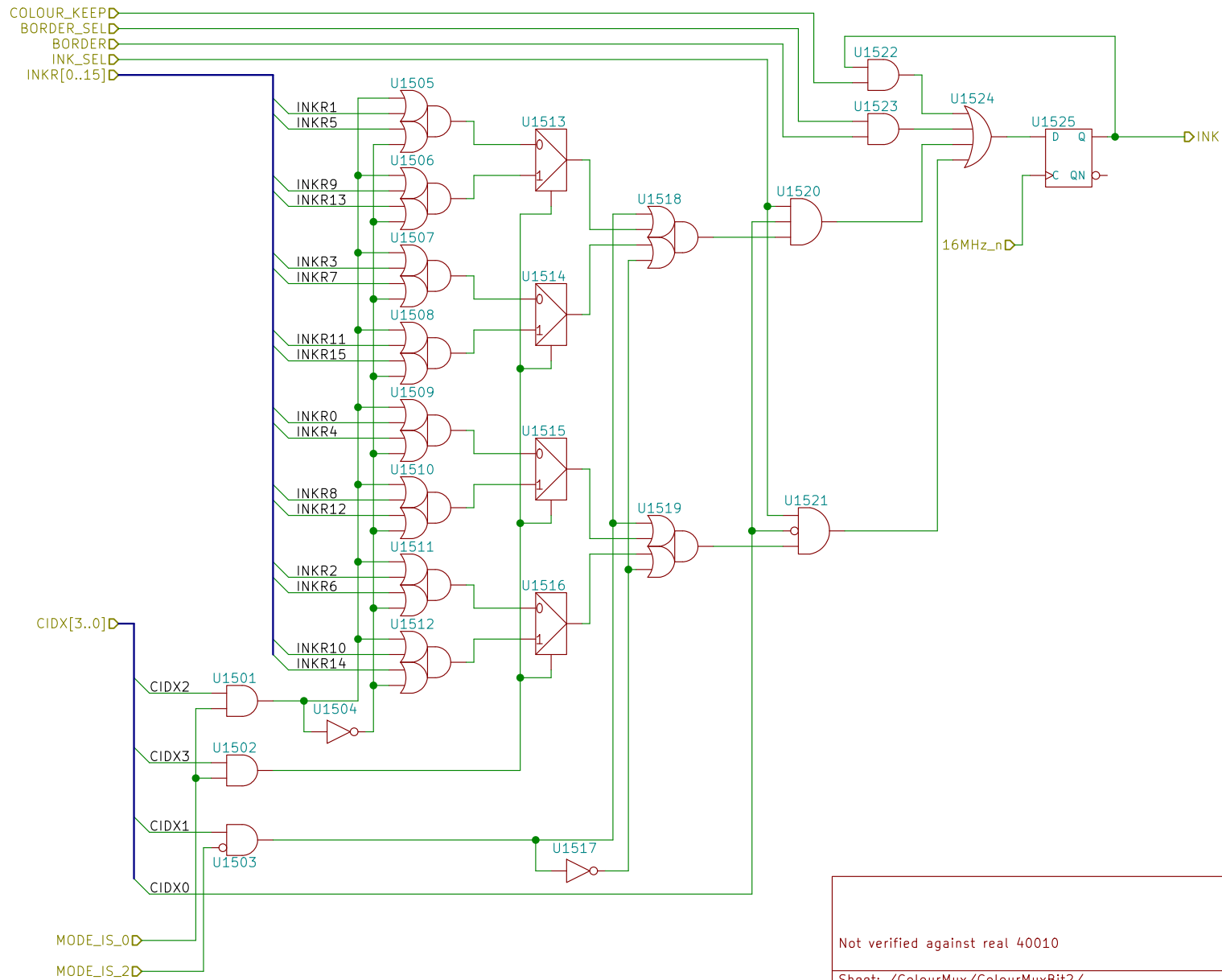
Title: Colour bit multiplexer

Size: A4 Date: 2019-02-18

KiCad E.D.A. kicad 4.0.7

Rev: 0.3

Id: 14/18



Not verified against real 40010

Sheet: /ColourMux/ColourMuxBit2/
 File: ColourMuxBit.sch

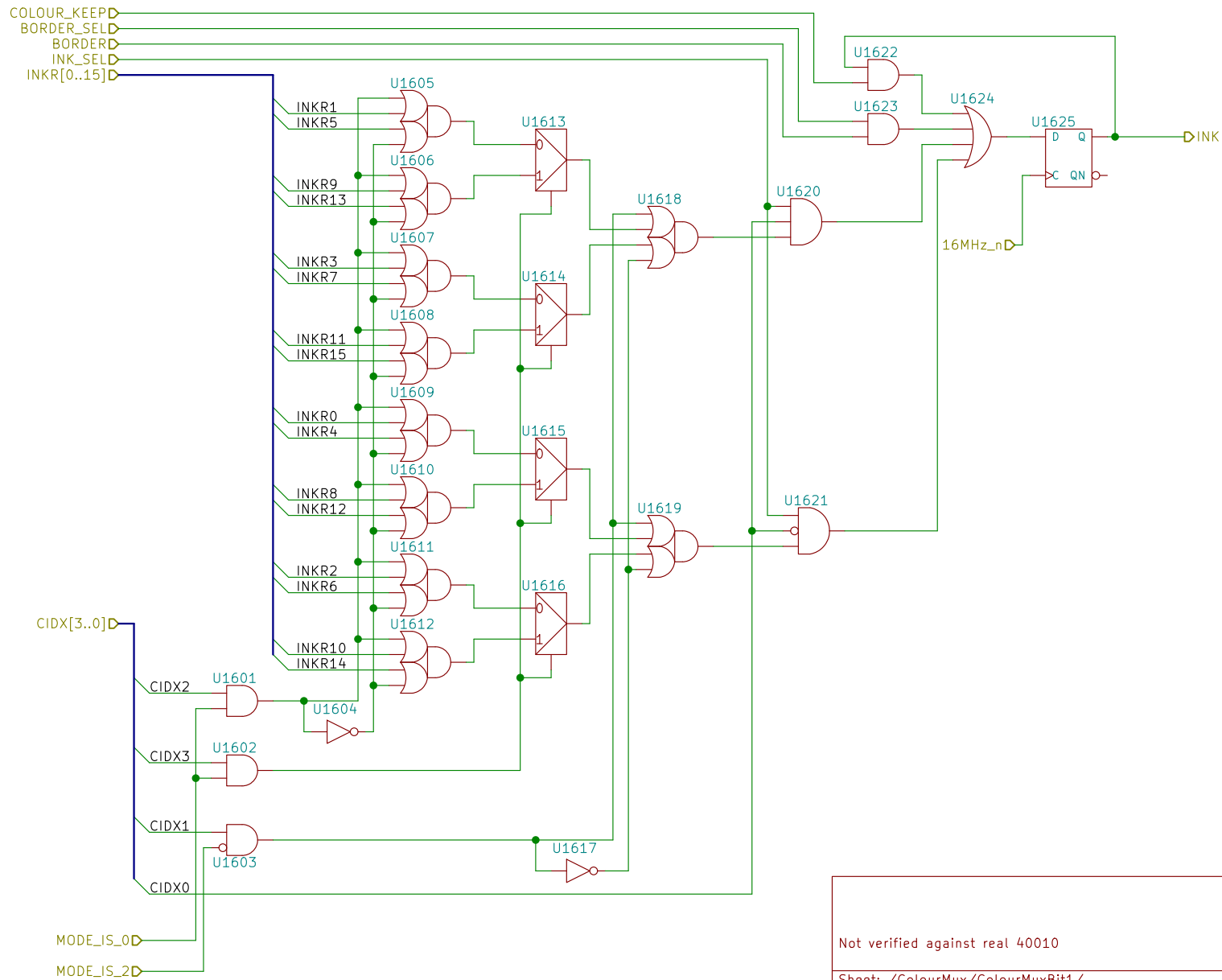
Title: Colour bit multiplexer

Size: A4 Date: 2019-02-18

KiCad E.D.A. kicad 4.0.7

Rev: 0.3

Id: 15/18



Not verified against real 40010

Sheet: /ColourMux/ColourMuxBit1/
 File: ColourMuxBit.sch

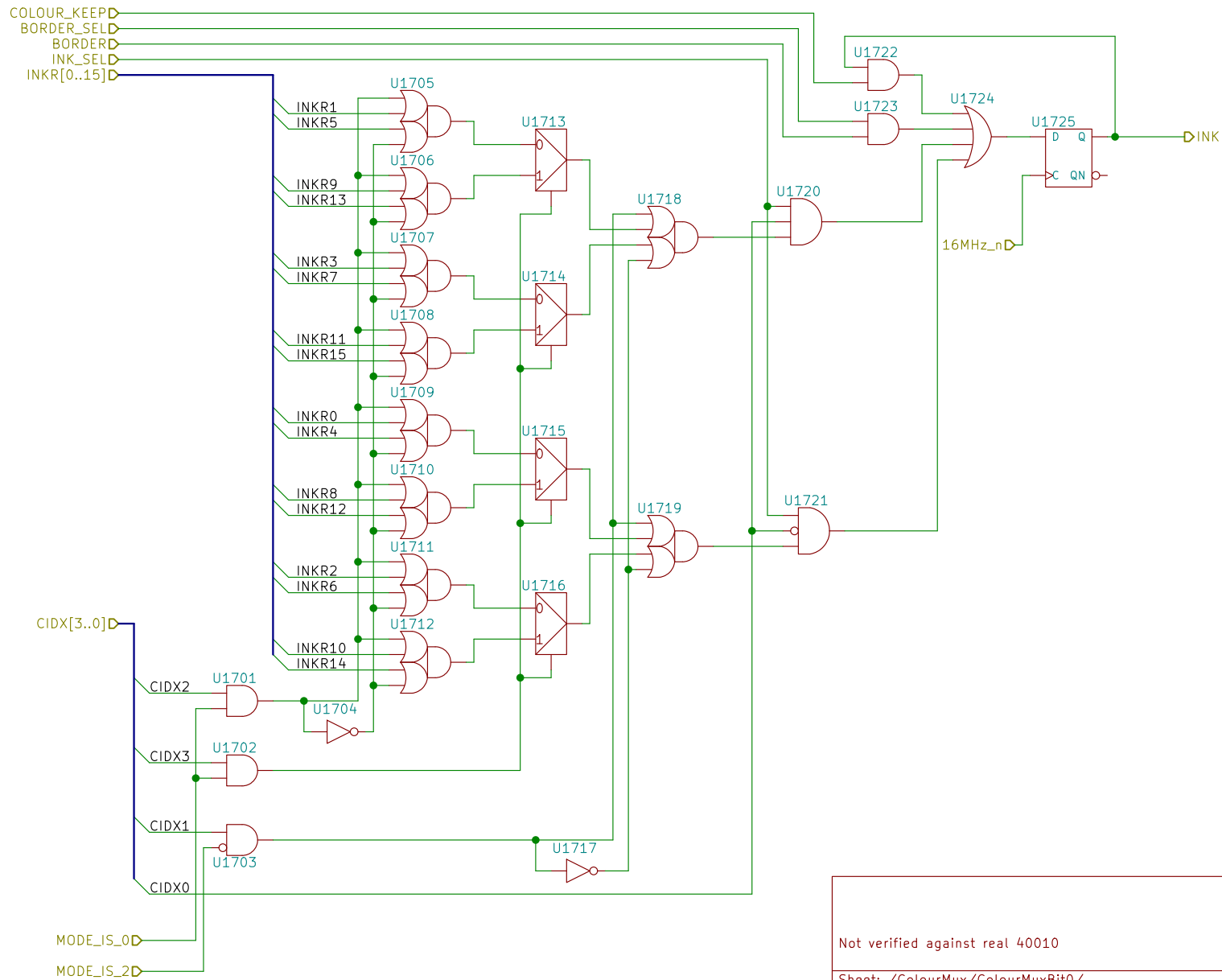
Title: Colour bit multiplexer

Size: A4 Date: 2019-02-18

KiCad E.D.A. kicad 4.0.7

Rev: 0.3

Id: 16/18



Not verified against real 40010

Sheet: /ColourMux/ColourMuxBit0/
 File: ColourMuxBit.sch

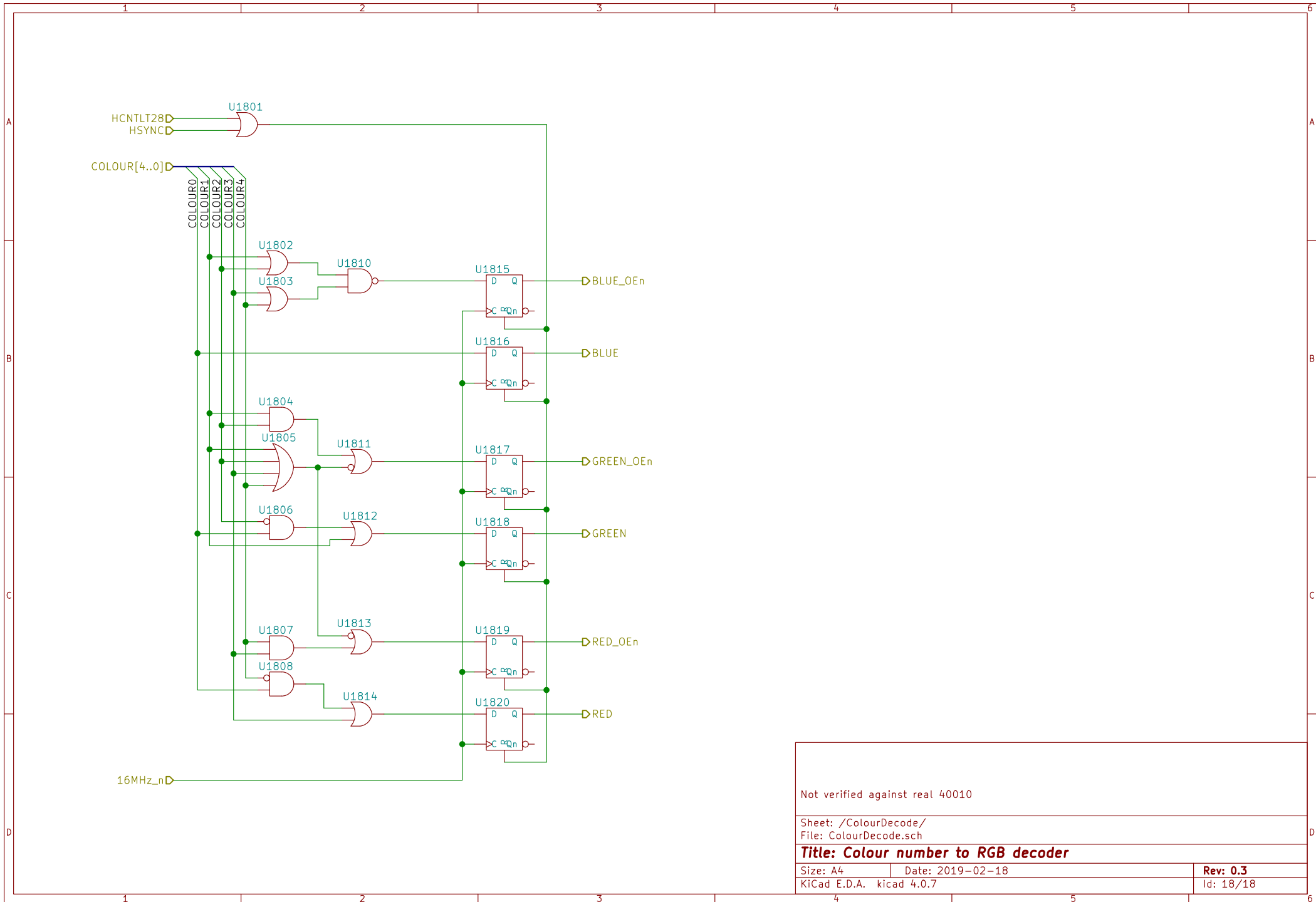
Title: Colour bit multiplexer

Size: A4 Date: 2019-02-18

KiCad E.D.A. kicad 4.0.7

Rev: 0.3

Id: 17/18



Not verified against real 40010

Sheet: /ColourDecode/
File: ColourDecode.sch

Title: Colour number to RGB decoder

Size: A4 Date: 2019-02-18

Rev: 0.3

KiCad E.D.A. kicad 4.0.7

Id: 18/18